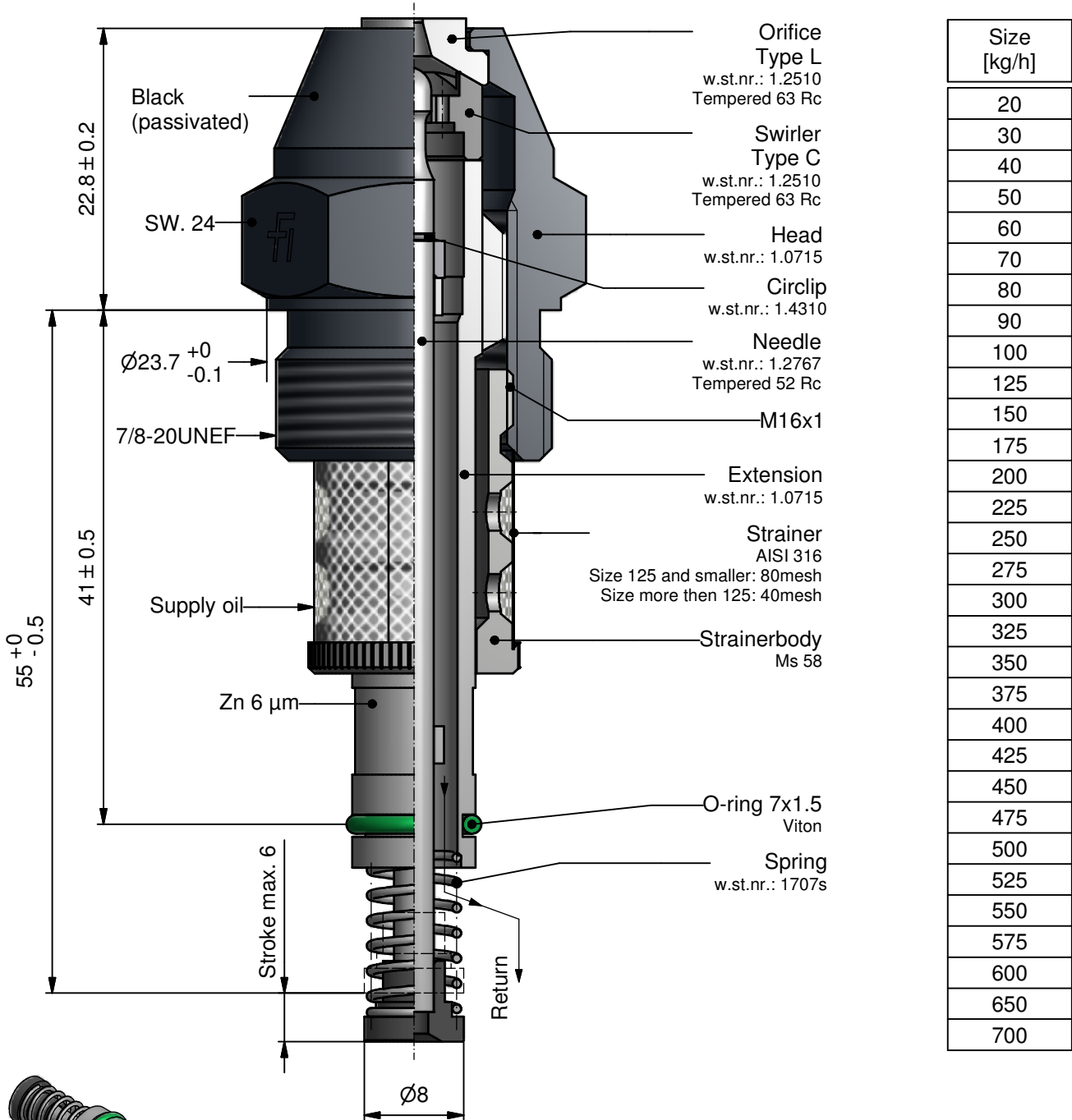




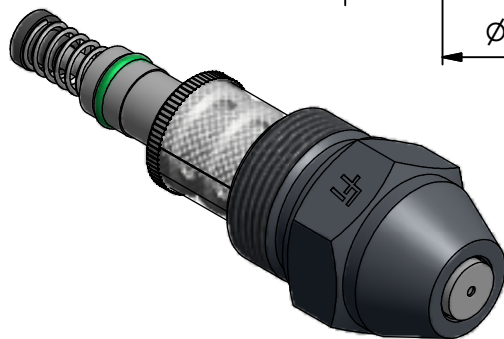
Atomizer 12
W3-"size"-45°-L

12-EFF1-4G-E

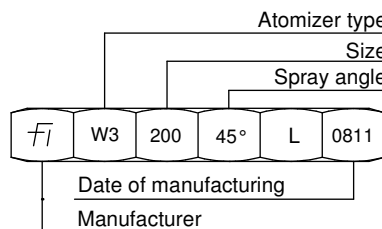
29-08-11



Size [kg/h]
20
30
40
50
60
70
80
90
100
125
150
175
200
225
250
275
300
325
350
375
400
425
450
475
500
525
550
575
600
650
700



Marking on Hexagon:



ORDERING: please specify:

- Atomizer type
- Size
- Spray angle
- Quantity

GENERAL DATA:

Test oil viscosity: 5 cSt.
Supply pressure: 25 Bar.

Max. output with closed return line.

Turn down 1:3 at 3 bar return pressure.

Max. output: up to 80 0% +10%
up to 175 0% +7%
over 175 0% +5%

Spray angle: Max. output 45°+5°
Turned down 75°+10°