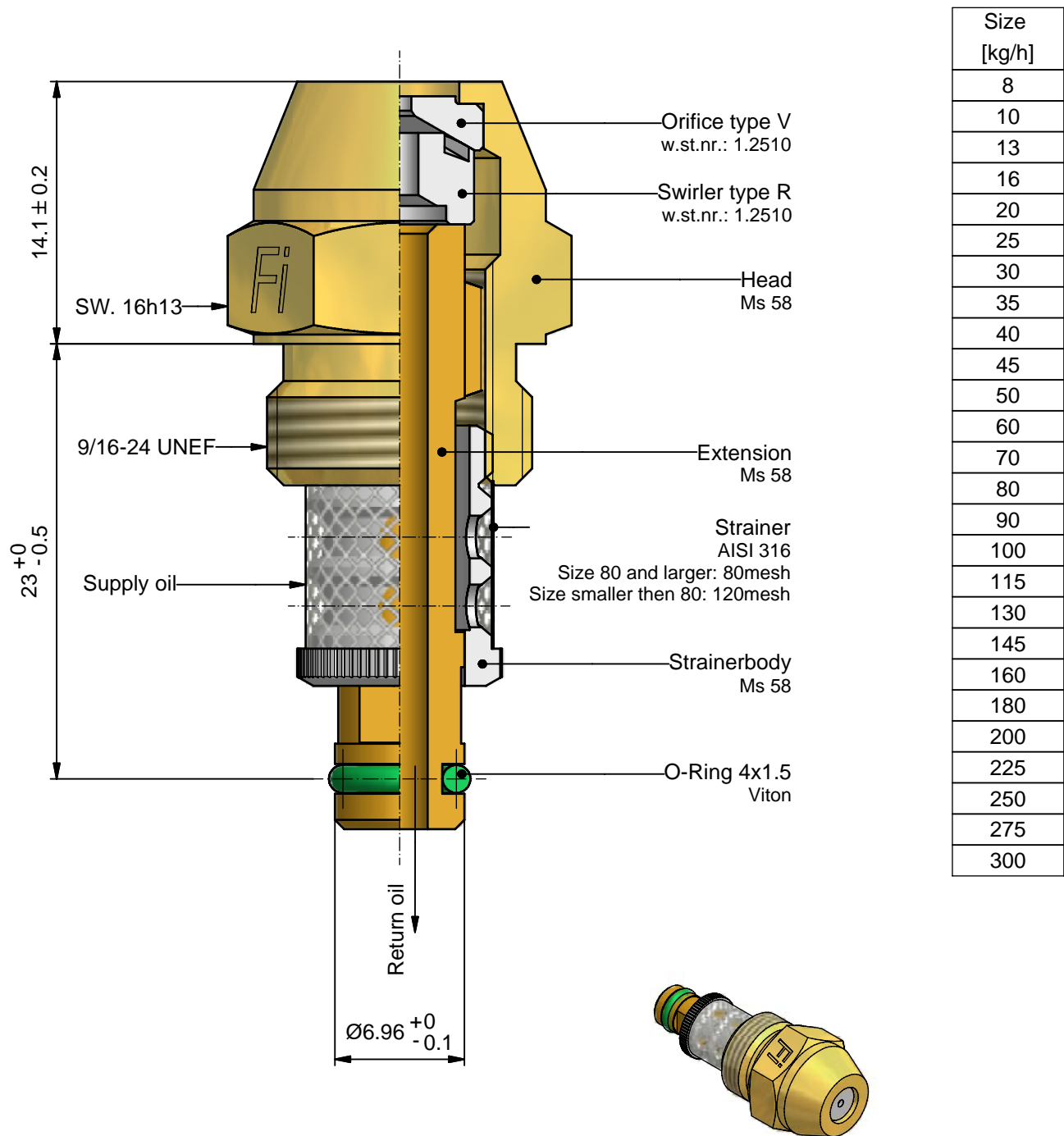




Atomizer 9
KB3-"Size"-60°

09-HGL1-4G-E

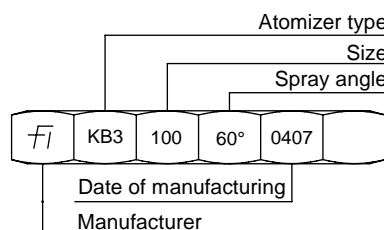
17-04-2007



ORDERING: please specify:

- Atomizer type
- Size
- Spray angle
- Quantity

Marking on Hexagon:



GENERAL DATA:

Test oil viscosity: 5 cSt.
 Supply pressure: 20 bar.
 Max. output with closed return line.
 Turn down 1:3 at return pressure 5 bar.
 Max. output: 0% +5%
 Spray angle: Max. output 60° +5°
 Turned down 80° +8°