



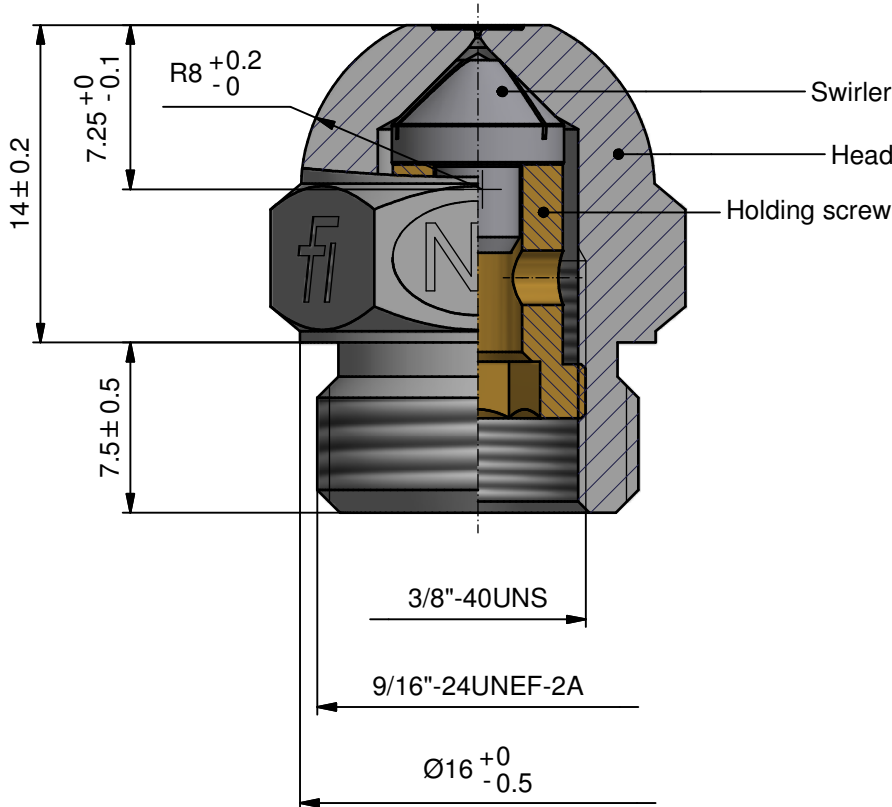
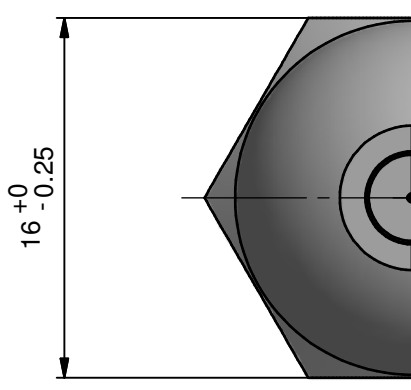
Simplex atomizer

fi

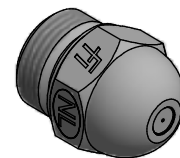
Heavy oil

09-DB01-4H-E

05-07-16



Nominal output at 100 PSI [USgal/h]
2.25
2.50
2.75
3.00
3.25
3.50
3.75
4.00
4.50
5.00
5.50
6.00
6.50
7.00
7.50
8.00
8.50
9.00
9.50
10.00
10.50
11.00
12.00
13.00
13.50
14.00
15.00
16.00



Spray angle:

45° / 60° / 80°

Spray pattern:

Solid cone type S
Hollow cone type H

Test oil according to:

ISO 4113
SAE J 967D

Test conditions:

3,5 cSt. at 37,8 °C
817 kg/m³ at 37.8 °C

Marking on hexagon:

